

STRAIN GAUGE TRANSMITTER

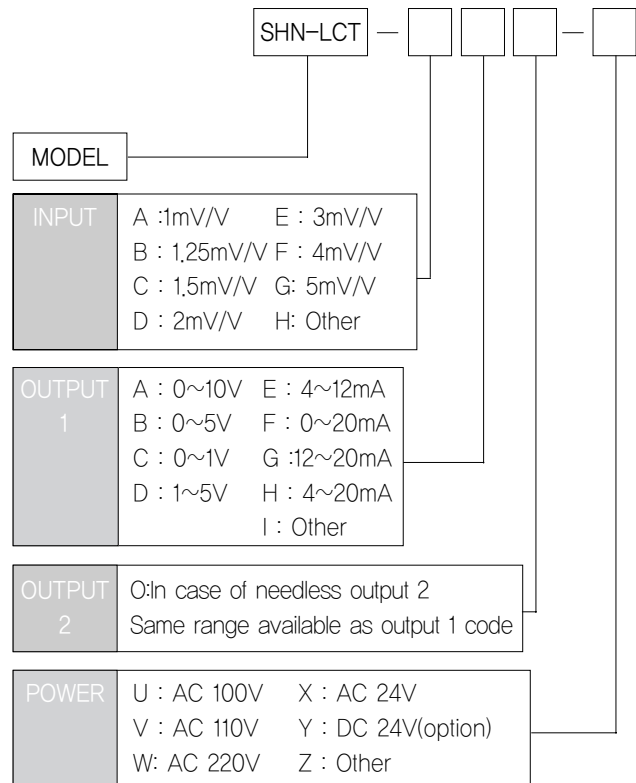
SHN-LCT



A converter is in use of converting the input signal that receives from load cell into process signal.

- Bridge voltage from load cells.
- 1 or 2 outputs are available from 1 input.
- Contains overvoltage protection circuit.
- Transformer isolation type.

MODEL & SUFFIX CODE SELECTION



GENERAL SPECIFICATIONS

Isolation/Type	Input to output to power/Transformer isolation type		
Power Supply	AC rating $\pm 10\%$, approx. 3.5VA DC rating $\pm 10\%$, (ripple 10%)100mA		
Accuracy	$\pm 0.3\%$ (Max)		
Temp Coefficient	$\pm 0.015\%$ / $^{\circ}\text{C}$ ($\pm 0.008\%$ / $^{\circ}\text{F}$)		
Linearity	$\pm 0.02\%$ F.S		
Insulation Resistance	Greater than 100M Ω with DC 500V		
Dielectric Strength	Input - Power	AC 2500V	1 minute
	Input - Output		
	Output 1 - Output 2		
	GND - Power		
Front Adjustments	Zero and Span $\pm 5\%$		
Overrange Output	approx. -10% ~ 110% at DC 1~5V		
Response Time	≤ 0.5 sec (0~90%)		
Operating Temperature/Humidity	-20~60 $^{\circ}\text{C}$ / 90%(N.C)		
Storage Temperature/Humidity	-20~80 $^{\circ}\text{C}$ / 95%(N.C)		
Dimensions	8 pin: W50xH85xD122(mm) 11 pin: W50xH85xD133(mm)		
Case Material	ABS Resin (black)		
Weight	about 400g		
Mounting	Wall & Rail mounting		

INPUT & OUTPUT SPECIFICATIONS

Input Specification

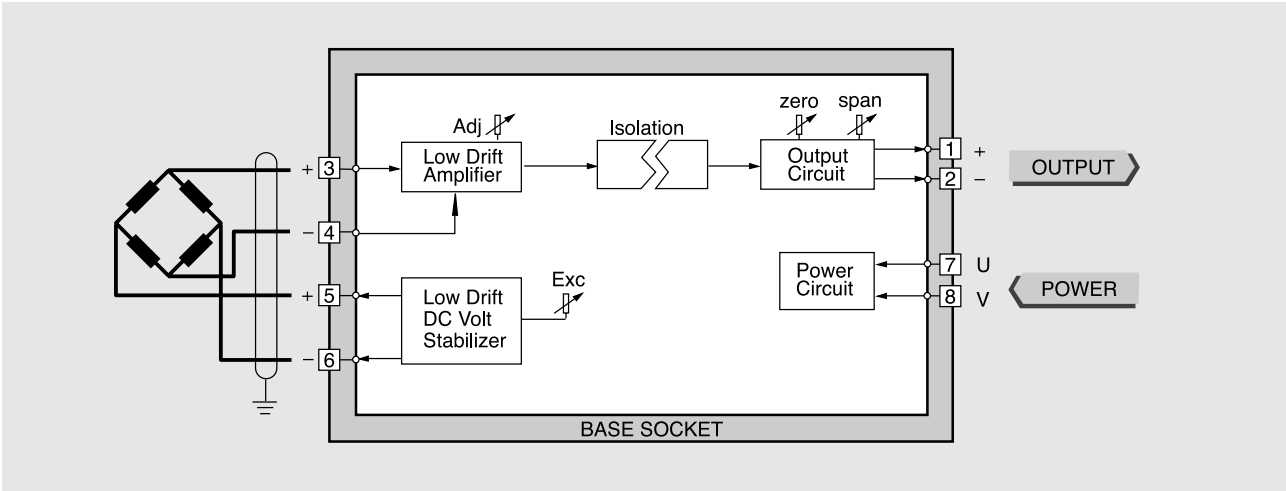
Specification	Report	
Rated output from Strain gauge	1~20mV/V	
Bridge Impedance	80Ω or more	
Excitation	2~15V(10V standard)	
Permissible Current	10V	35mA
	7.5V	65mA

Output Load Resistance

Output	1 Point	2 Point		Remark
	Output	Output-1	Output-2	
4 ~ 20mA	700Ω	600Ω	350Ω	(Max)
0 ~ 20mA	700Ω	600Ω	350Ω	(Max)
2 ~ 10mA	1200Ω	1200Ω	700Ω	(Max)
1 ~ 5V	5000Ω	5000Ω	5000Ω	(Min)
0 ~ 1V	1000Ω	1000Ω	1000Ω	(Min)

BLOCK DIAGRAM

1 Point Output



2 Point Output

